

**LEAF**™

USER MANUAL

---

This section contains important information about the operation of your device. It also contains information about how to use the device safely. Read this information carefully before using your device.

## **ABOUT BELLABEAT LEAF**

---

The Bellabeat Leaf is a sleep, stress and movement monitor. It can be worn as a necklace, bracelet or a clip. Bellabeat Leaf syncs with the Bellabeat App, and all the data is transferred wirelessly. Accurate sensors inside the Leaf measure your breathing, how active you are and all the movements throughout the day and night. Based on all the collected data the Leaf App provides useful insights to improve your health. The Leaf also vibrates to remind the user to either be more active or reduce the intensity of their workouts, depending on the user's set preferences.

### **WHAT'S INCLUDED**

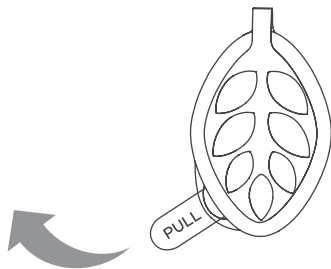
Bellabeat Leaf  
Necklace  
Bracelet  
User manual

## FIRST STEPS

---

### POWERING ON

Your Bellabeat LEAF is shipped with one CR2032 coin cell battery that has been previously installed. Remove the plastic tab from battery for power on your LEAF.

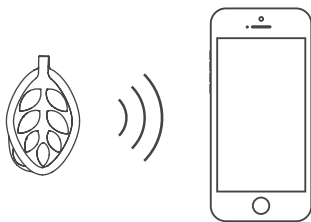


# FIRST STEPS

---

## INSTALL THE APPLICATION

1. Connect your phone to the Internet and follow the instructions from [www.bellabeat.com](http://www.bellabeat.com) to install application.
2. Open the Bellabeat application.
3. Double tap your Bellabeat LEAF to start pairing.
4. Connect Bellabeat LEAF with mobile phone.



## FIRST STEPS

---

### HOW TO WEAR THE LEAF

You can wear your Bellabeat LEAF as necklace, bracelet or brooch.

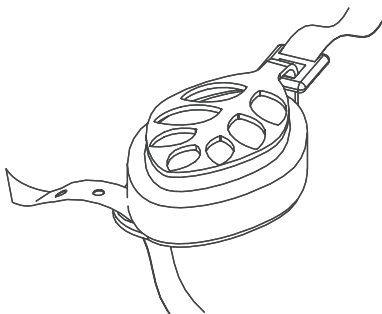
NECKLACE – Make sure you pull the necklace through the metal clip hoop so that the tip of the LEAF is facing down. The little hole on the side is used only when worn as a bracelet.



## FIRST STEPS

---

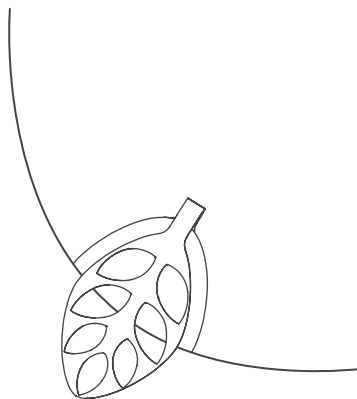
**BRACELET** – Pull one side of the bracelet string through the hole on the side of the Leaf, and the other bracelet string through the metal clip hoop at the top of the LEAF. Make sure you tighten the bracelet with the clasp so that the LEAF is nicely fixed on your wrist.



## FIRST STEPS

---

CLIP – Make sure you pull the fabric in-between the wooden part and metal clip, so the visible piece is only the metal detail. It can be pinned on the hem of your shirt or blouse, pocket, or the waistband of tights or pants.





## SPECIFICATIONS

---

- Dimensions:

Height: 1,89 inches (48 mm)

Width: 1,18 inches (30 mm)

Depth: 0,51 inches (13 mm)

Weight: 0,635 ounces (18 g)

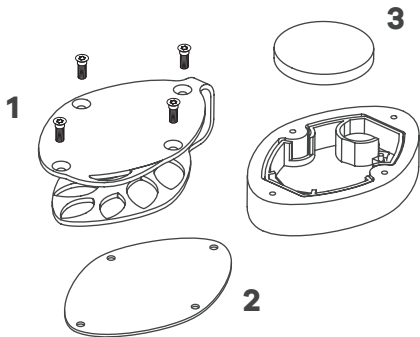
- Power Source: CR2032 coin cell battery
- Connectivity: Wireless connectivity
- Sensors: tri-axis accelerometer
- Haptic vibration motor for alarms and notifications
- OTA update (Over the Air update)

Bellabeat LEAF works with Android 4.3 and later, iPhone 4s, iPhone 5, iPhone 5c, iPhone 5s, iPhone 6, iPhone 6 Plus, iPod Touch 5th Gen, iPad 3rd Gen, iPad Mini, iPad Air

## REPLACING THE BATTERY

---

1. Unscrew all four screws and remove the metal clip (1)
2. Remove the rubber cover (2)
3. Remove the battery and replace it with a new one (3)
4. Put the rubber cover back
5. Put the metal clip back
6. Put back and tighten all four screws



# REPLACING THE BATTERY

---

## SAFETY INFORMATION FOR THE BATTERY

In exceptional circumstances, batteries may leak fluids that can cause a chemical burn injury or ruin your product. To avoid battery leakage:

- Do not mix old and new batteries or batteries of different types: alkaline, standard (carbon-zinc) or rechargeable (nickel-cadmium).
- Insert batteries as indicated inside the battery compartment.
- Remove batteries during long periods of non-use. Always remove exhausted batteries from the product. Dispose of batteries safely. Do not dispose of this product in a fire. The batteries inside may explode or leak.
- Never short-circuit the battery terminals.
- Use only batteries of the same or equivalent type, as recommended.
- Do not charge non-rechargeable batteries.

## PROPER DISPOSAL

---



DO NOT throw the battery in household waste. The symbol of the crossed out wheeled bin indicates that the battery should not be placed in household waste. Instead they shall be handed over to the appropriate collection point for the recycling batteries.



DO NOT throw this product in household waste. This symbol indicates that this product shall not be treated as household waste. Instead it shall be handed over to the appropriate collection point for the recycling of electrical and electronic equipment. The recycling materials will help to conserve natural resources

# CERTIFICATION

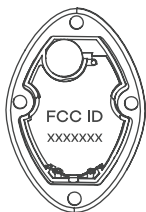
---



## CERTIFICATION

---

*FCC ID is located under the battery. To see the FCC ID please remove the battery.*



### **FCC PART 15 Compliance**

This device complies with Part 15 of the FCC Rules. Operation is subject to the following two conditions: (1) this device may not cause harmful interference, and (2) this device must accept any interference received, including interference that may cause undesired operation.

Changes of modifications not expressly approved by the party responsible for compliance could void the user's authority to operate the product.

## CERTIFICATION

---

NOTE: This equipment has been tested and found to comply with the limited for a Class B digital device, pursuant to Part 15 of the FCC Rules. These limits are designed to provide reasonable protection against harmful interference in residential installation. This equipment generates, uses and can radiate radio frequency energy and if not installed and used in accordance with the instruction, may cause harmful interference to radio communications. However, there is no guarantee that interference will not occur in a particular installation. If this equipment does cause harmful interference to radio or television reception, which can be determined by turning the equipment off and on, the user is encouraged to try to correct the interference by one or more of the following measures:

- Reorient or relocate the receiving antenna.
- Increase the separation between the equipment and receiver
- Connect the equipment into an outlet on a circuit different from that to which the receiver is connected.
- Consult the dealer or an experienced radio/TV technician for help.

## ATTENTION

---

- Bellabeat LEAF is not waterproof or water resistant product.
- This package contains small parts that may be hazardous to children and should be kept out of reach from children. This product is not a toy – never allow children to play with this product. Always store the product out of reach from children. The bags themselves or the many small parts they contain may cause choking if ingested.



- Bellabeat LEAF is not designed or intended for children.
- Keep all products away from operating machinery.
- For screw/unscrew use only appropriate screwdriver.
- Bellabeat LEAF is not a medical device
- Bellabeat LEAF's edges can be sharp, so handle with care.



## ATTENTION

---

- Ideal operating temperatures are 32 - 104°F (0 - 40 °C). Extreme heat or cold may damage your device or accessories.
- Keep the Bellabeat LEAF away from sources of heat and fire, such as a heater, microwave oven, stove, water heater, radiator, or candle.
- Do not expose your Bellabeat LEAF to direct sunlight (such as on a car dashboard) for prolonged periods.
- Do not drop the Bellabeat LEAF or battery. If the Bellabeat LEAF or battery is dropped, especially on a hard surface it may be damaged.
- Do not use any chemical detergent, powder, or other chemical agents (such as alcohol and benzene) to clean the LEAF or accessories. These substances may cause damage to parts or present a fire hazard. Use a clean, soft, and dry cloth to clean the LEAF and accessories.

# bellabeat

---

[www.bellabeat.com](http://www.bellabeat.com)  
[facebook.com/bellabeat](https://facebook.com/bellabeat)   
[@GetBellaBeat](https://twitter.com/GetBellaBeat)   
[hi@bellabeat.com](mailto:hi@bellabeat.com)



Bellabeat, Inc.  
2 Mint Plaza  
San Francisco, CA 94103